

3MP Motorized VF EXIR Dome Camera



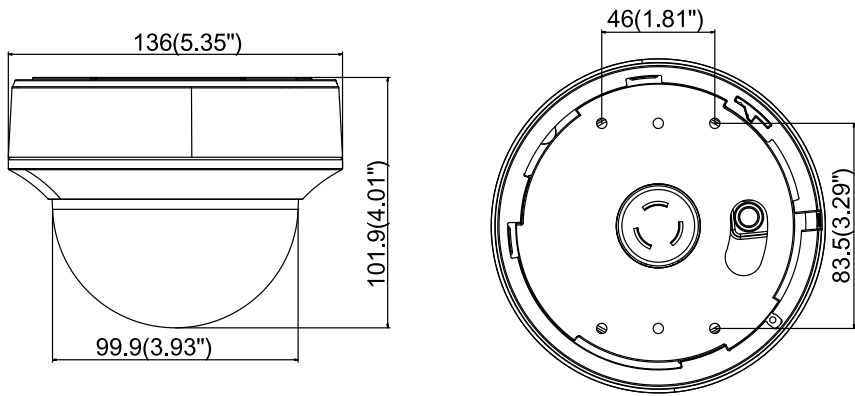
Key Features

- 3 Megapixel high-performance CMOS
- Analog HD output, up to 3MP resolution
- 2.8-12mm motorized vari-focal lens
- True Day/Night
- OSD menu, DNR, Smart IR
- True WDR, up to 120dB
- EXIR technology, up to 30m IR distance
- IP65 weatherproof
- Up the Coax(HIKVISION-C)

Specifications

Camera	
Image Sensor	3MP CMOS Image Sensor
Effective Pixels	2052(H)*1536(V)
Min. illumination	0.01 Lux @ (F1.2,AGC ON),0 Lux with IR
Shutter Time	1/25s to 1/50,000s
Lens	Motorized VF lens; 2.8 - 12 mm @ F1.2
Lens Mount	φ14
Day & Night	ICR
Angle Adjustment	Pan: 0° - 355°; Tilt:0° - 75°; Rotate: 0° - 355°
Synchronization	Internal Synchronization
WDR	120dB
Video Frame Rate	1920×1536@18fps
HD Video Output	1 Analog HD output
S/N Ratio	> 62dB
Menu	
AGC	Support
D/N Mode	Color/BW/SMART
White Balance	ATW/ MWB
BLC	Support
Functions	Wide Dynamic Range, Digital noise reduction, Mirror, SMART IR
General	
Operating Conditions	-40 ℃ – 60 ℃ (-40 ℉ – 140 ℉) , Humidity 90% or less (non-condensing)
Power Supply	12 VDC±15%
Power Consumption	Max. 4.5W
Protection Level	IP65
IR Range	Up to 30m
Communication	Up the coax, Protocol: HIKVISION-C (TVI output)
Dimensions	Φ136mm×102mm (Φ5.35"×4.02")
Weight	Approx. 600g (1.32lb)

Dimensions



Unit: mm

Accessories



Vertical Pole Mount



Wall Mounting



Video Balun



Camera Tester



Horizontal Pole Mount